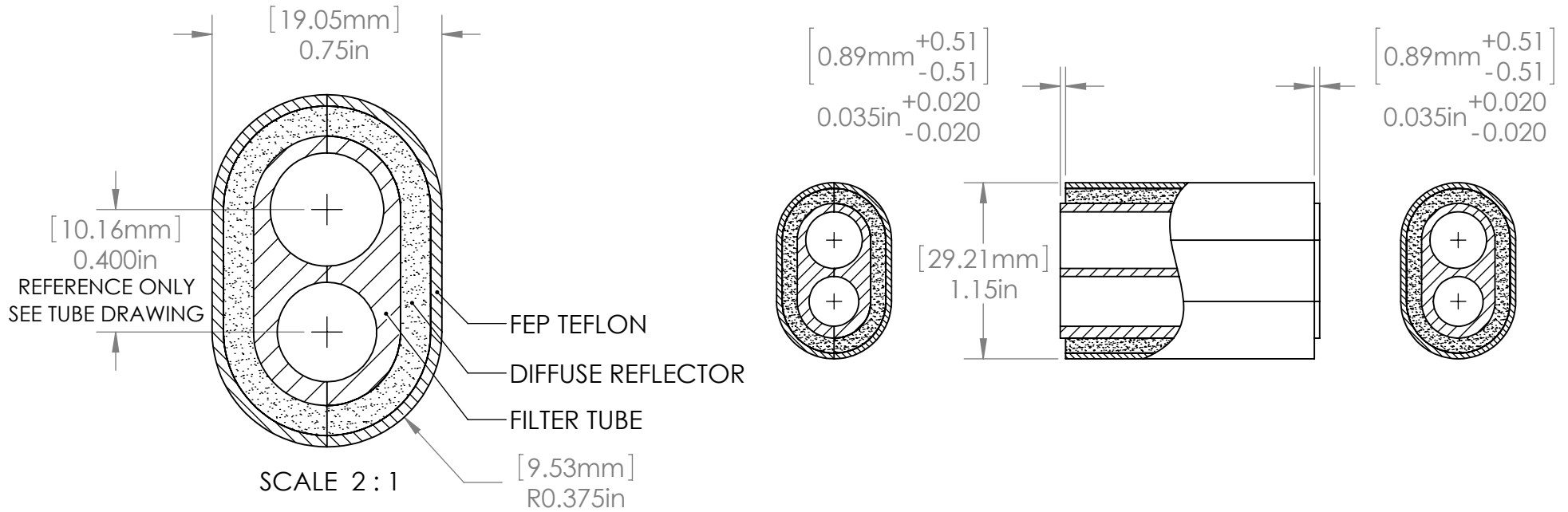
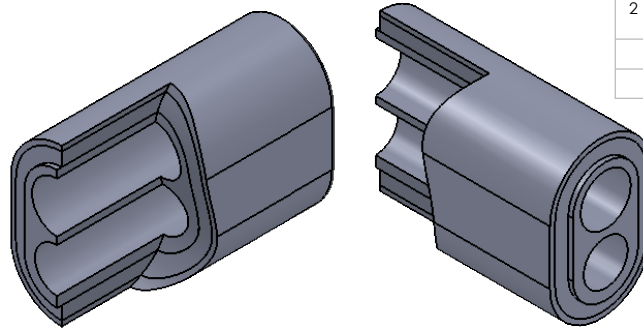


NO.	NOTES
1	REFERENCE DRAWING #A1255 FOR FILTER TUBE DIMENSIONS
2	DIFFUSE REFLECTOR MATERIAL: ULTRA HIGH PURITY BaSO ₄ AND TEFLON FLOURINATED ETHYLENE PROPYLENE (FEP)



UNLESS OTHERWISE SPECIFIED:

DIMENSIONS ARE IN INCHES
(EXCEPT WHERE NOTED)

TOLERANCES: ±0.05
(EXCEPT WHERE NOTED)

INTERPRET GEOMETRIC
TOLERANCING PER:

MATERIAL
SEE NOTES 2

FINISH

DO NOT SCALE DRAWING

NAME DATE

DRAWN CXY 18JAN10

CHECKED CRH 18JAN10

ENG APPR.

MFG APPR.

Q.A.

COMMENTS:



L3 KIGRE, INC.

TITLE:

PACKED FILTER TUBE DIMENSIONS

400/2

SIZE

A

DWG. NO.

A3262

REV

1

SCALE: 1:1

WEIGHT:

SHEET 1 OF 1

REV	DATE	DESCRIPTION	BY	APPR
1	22AUG18	CORRECT TOLERANCES FOR MANUFACTURABILITY	CRH	JKD

NEXT ASSY

USED ON

APPLICATION

5

4

3

2

1