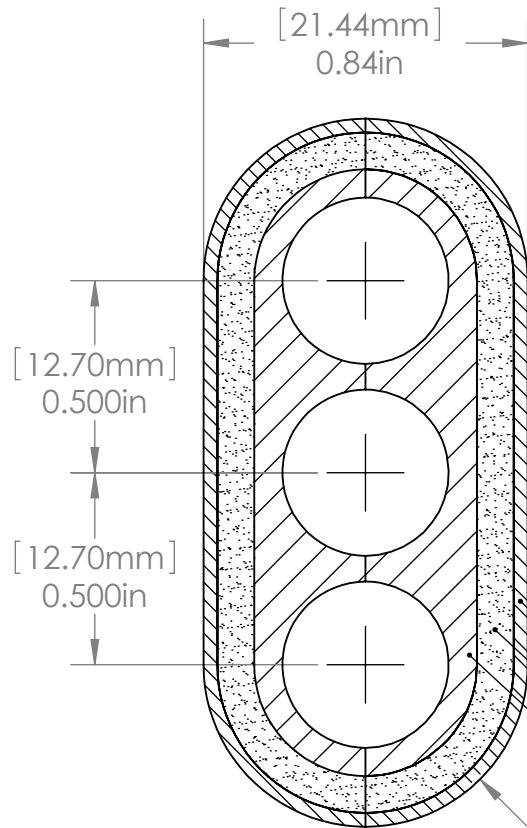


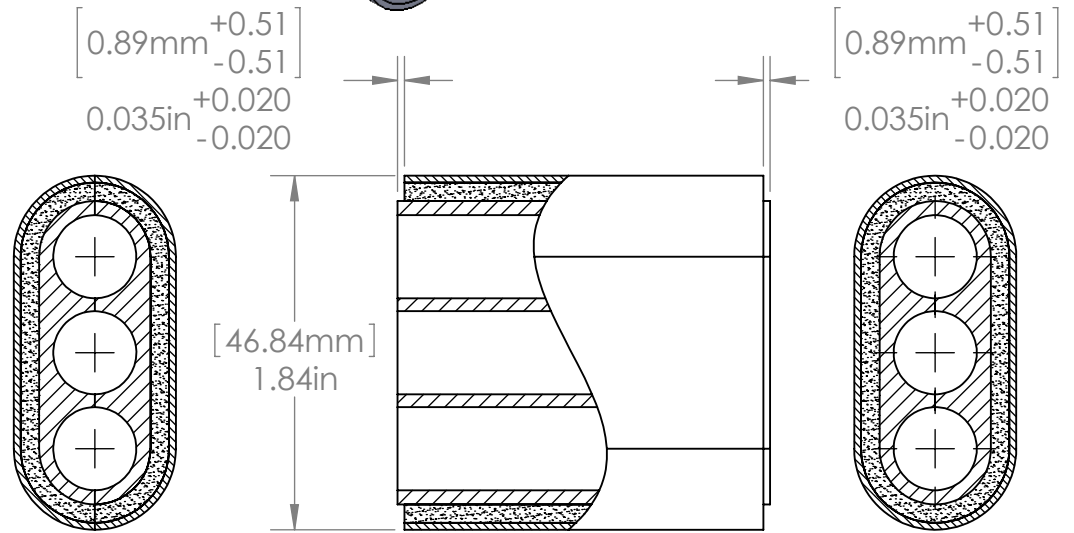
NO.	NOTES
1	REFERENCE DRAWING #A218 FOR FILTER TUBE DIMENSIONS
2	DIFFUSE REFLECTOR MATERIAL: ULTRA HIGH PURITY BaSO <sub>4</sub> AND TEFLON FLUORINATED ETHYLENE PROPYLENE (FEP)

REFERENCE ONLY  
SEE TUBE DRAWING



SCALE 2:1

FEP TEFLON  
DIFFUSE REFLECTOR  
FILTER TUBE



REV	DATE	DESCRIPTION	BY	APPR
1	22AUG18	CORRECT TOLERANCES FOR MANUFACTURABILITY	CRH	JKD

UNLESS OTHERWISE SPECIFIED:

DIMENSIONS ARE IN INCHES  
(EXCEPT WHERE NOTED)

TOLERANCES: ±0.050  
(EXCEPT WHERE NOTED)

INTERPRET GEOMETRIC  
TOLERANCING PER:

MATERIAL  
SEE NOTES 2

FINISH

DO NOT SCALE DRAWING

	NAME	DATE
DRAWN	CXY	25JAN10
CHECKED	CRH	25JAN10
ENG APPR.		
MFG APPR.		
Q.A.		
COMMENTS:		

**L3** L3 KIGRE, INC.

TITLE:

**PACKED FILTER TUBE DIMENSIONS**

**500/3**

SIZE	DWG. NO.	REV
<b>A</b>	<b>A3266</b>	<b>1</b>

SCALE: 1:1 WEIGHT: SHEET 1 OF 1