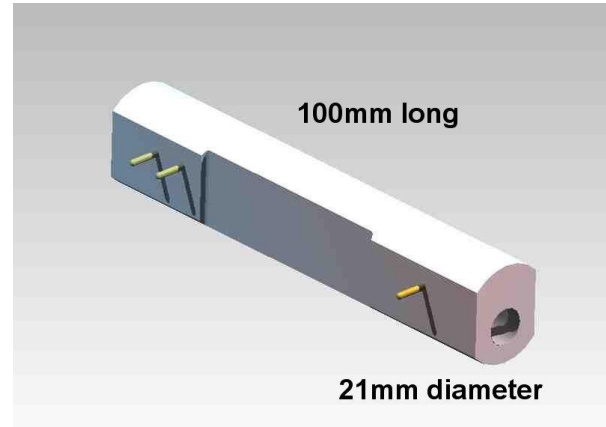


## MK- 367 Laser Head

**High Peak Power (6MW) Compact  
Permanently Aligned 1064nm  
Laser**

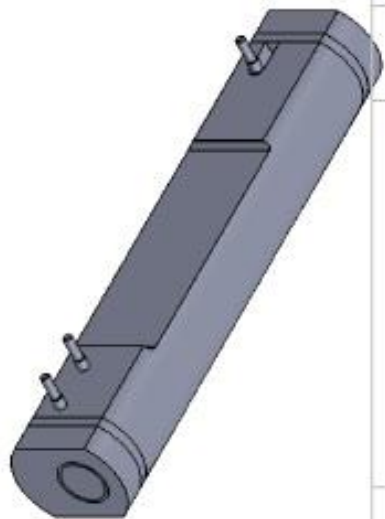
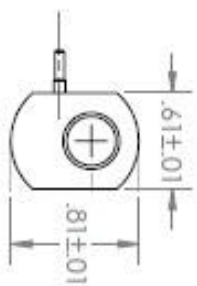
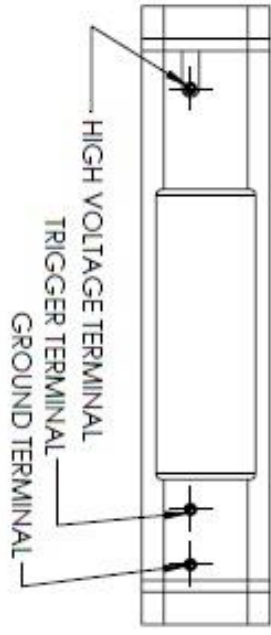
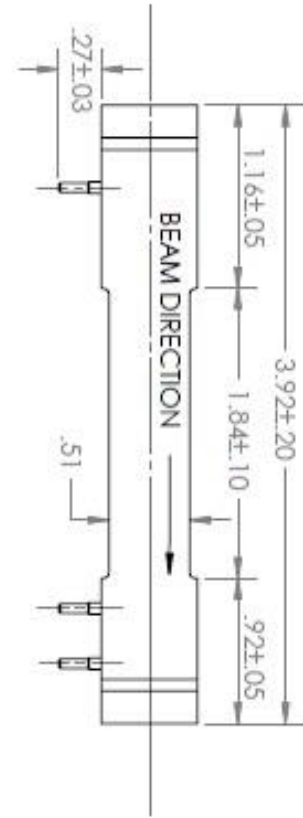


|                               |                                    |
|-------------------------------|------------------------------------|
| Wave length                   | 1064 nm                            |
| Laser Energy                  | 25 mJ for single pulse             |
| Pulse Repetition Rate         | 1/3 Hz                             |
| Maximum Pulse Repetition Rate | 1Hz with actively cooled heat sink |
| Laser Pulse Width             | 4 ns                               |
| Raw Beam Diameter             | 3 mm                               |
| Beam Divergence               | 90% less than 1 mrad full angle    |
| Output Stability              | Less than $\pm 10\%$               |
| Beam Mode                     | Low order                          |
| Laser Head Size (in cm)       | 10 long x 2.1 diameter             |
| Laser Head Weight             | 58 g                               |
| Nominal Required Input        | 5-6 Joules per Pulse               |
| Life Time                     | > 300,000 shots                    |



| REV | DATE    | DESCRIPTION                               | APP# |
|-----|---------|-------------------------------------------|------|
| 1   | 4/25/88 | DETACHABLE MOUNT PROVIDED FOR REAR MIRROR | WVD  |
| 2   | 9/8/88  | CHANGED SLOT LENGTH FROM 2.02 TO 1.87     | WVD  |
| 3   | 3/24/03 | ADDED TOLERANCE DIMENSIONS                | SAB  |

| NOTE | DATE | DESCRIPTION | APP# |
|------|------|-------------|------|
|      |      |             |      |
|      |      |             |      |
|      |      |             |      |



**PROPRIETARY AND CONFIDENTIAL**  
 THE INFORMATION CONTAINED IN THIS DRAWING IS THE SOLE PROPERTY OF KIGRE COMPANY NAME HERE. ANY REPRODUCTION IN PART OR AS A WHOLE WITHOUT THE WRITTEN PERMISSION OF KIGRE COMPANY NAME HERE IS PROHIBITED.

5 4 3 2 1

UNLESS OTHERWISE SPECIFIED:  
 DIMENSIONS ARE IN INCHES  
 TOLERANCES:  
 ONE PLACE DECIMAL: ±0.000  
 TWO PLACE DECIMAL: ±0.010  
 THREE PLACE DECIMAL: ±0.005

INTERNET GEOMETRIC TOLERANCING FINE MATERIAL: GRADE 7A LAVA FINISH: FIBER, AERMETCO SEALED DO NOT SCALE DRAWING

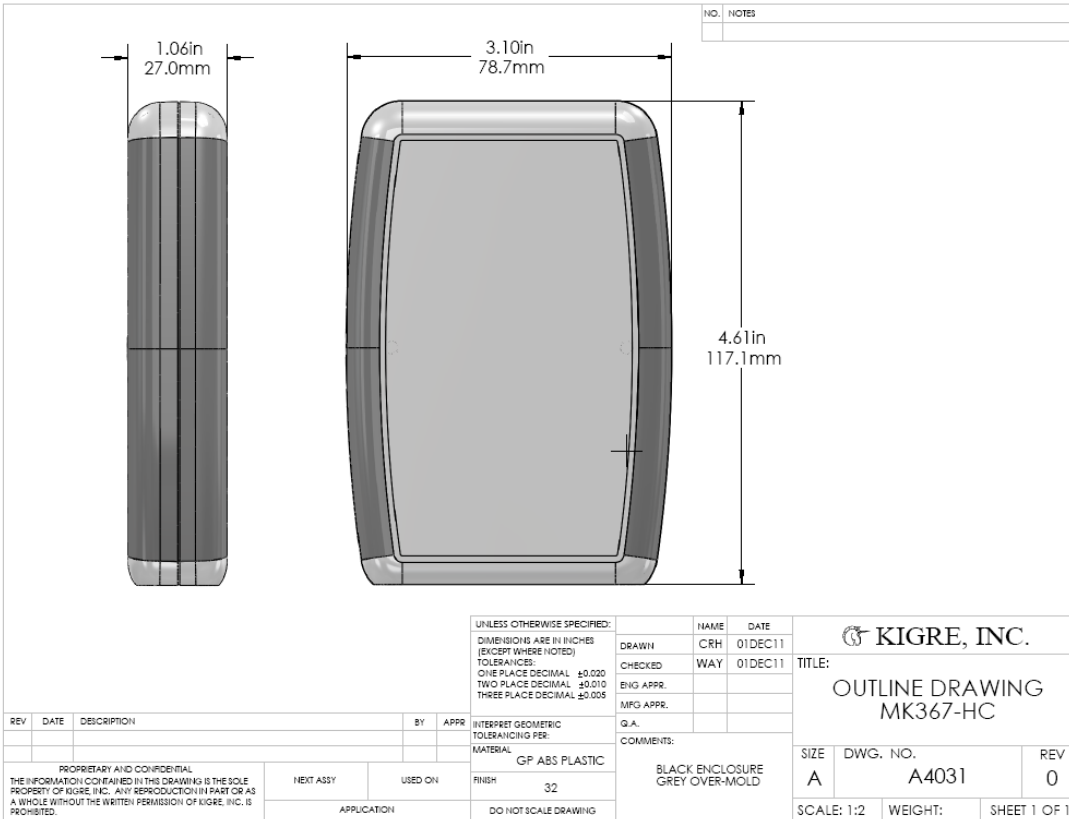
| UNLESS OTHERWISE SPECIFIED: | NAME | DATE    |
|-----------------------------|------|---------|
| DRAWN                       | CVY  | 19NOV09 |
| CHECKED                     | CHH  | 19NOV09 |
| ENG. APPR.                  |      |         |
| MFG. APPR.                  |      |         |
| Q.A.                        |      |         |
| COMMENTS:                   |      |         |

TITLE: **KIGRE, INC.**  
**OUTLINE, LASER HEAD/MK-367**

SIZE: **A** DWG. NO.: **A927** REV: **3**  
 SCALE: 1:1 WEIGHT: SHEET 1 OF 1

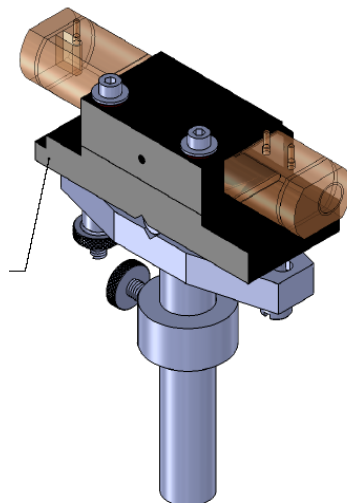
## Optional Accessories

### MK367-HC Hand Controller Unit



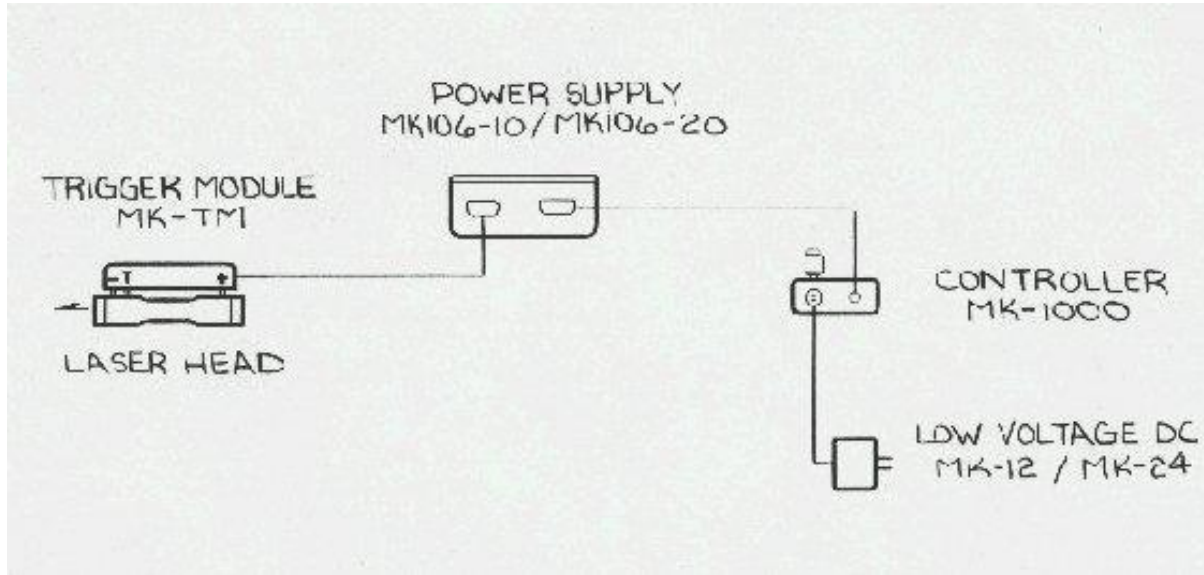
### Trigger Module, Heat Sink Mount & Post Mount Tilt Base

The MK-367T Trigger Module (potted) weighs 64 grams

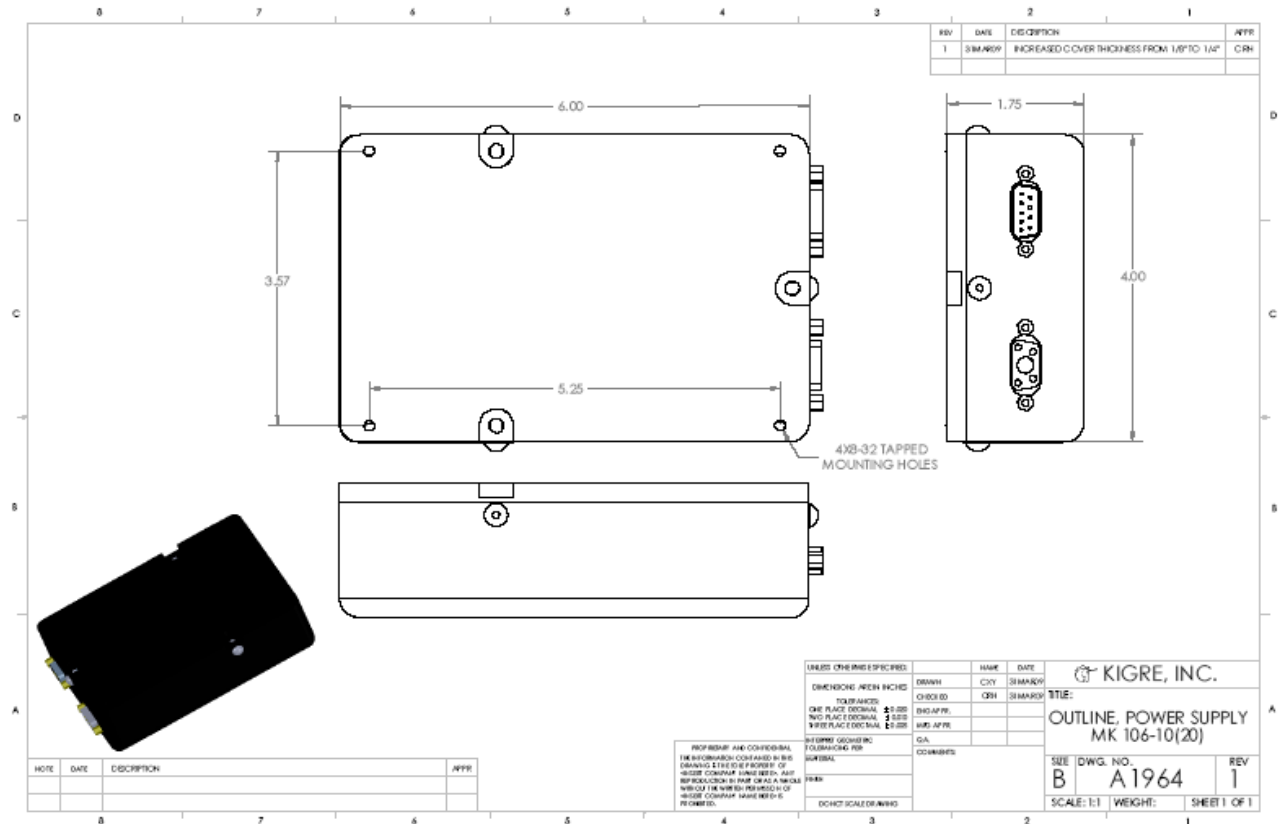


## Optional Accessories (continued)

### MK-367 Example Interconnect Diagram



## MK 107 Laser Power Supply



The 106-10 (10 Joule) OEM power supply (potted) weighs 1.13Kg  
 The 106-20 (20 Joule) OEM power supply (potted) weighs 1.26Kg

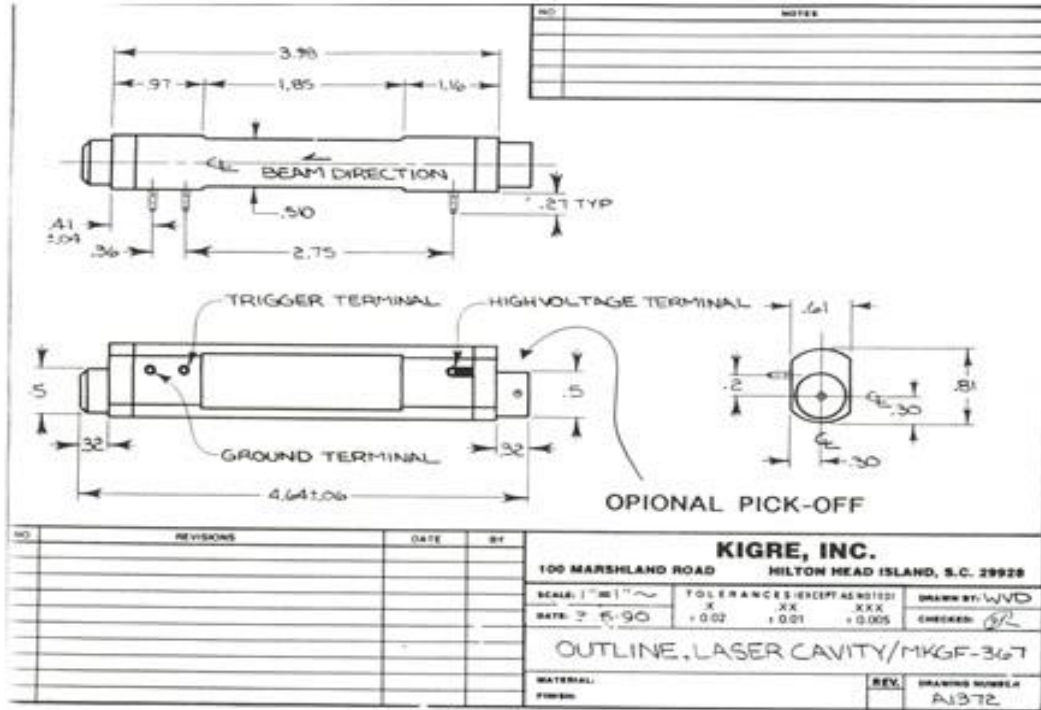
### Electric requirements

|                     |                                                         |
|---------------------|---------------------------------------------------------|
| Input Voltage:      | 12 VDC                                                  |
| Input Current:      | 1.2 A charging 250 mA regulating                        |
| Output Voltage:     | 500-1000 VDC                                            |
| Trigger Output:     | +12 VDC-positive edge input 1.0 ms minimum pulse width  |
| Output Energy:      | Model MK106-10: 9 J<br>Model MK106-20: 18 J             |
| Maximum Pulse Rate: | One pulse per second at 10 J                            |
| Charge Indication:  | Active low at fall charge (12 V 20 mA sink recommended) |

Customized un-potted electronic components may exhibit significant weight savings of up to 80%.



## Green Frequency Doubled MKG-367 Specifications



|                  |                                 |
|------------------|---------------------------------|
| Nominal Output   | 10 mJ @ 532 nm                  |
| Pulse Width      | 4 ns                            |
| Beam Diameter    | 3mm                             |
| Beam Divergence  | 90% less than 1 mrad full angle |
| Output Stability | Less than ±10%                  |

### Information about Flash lamp life time

