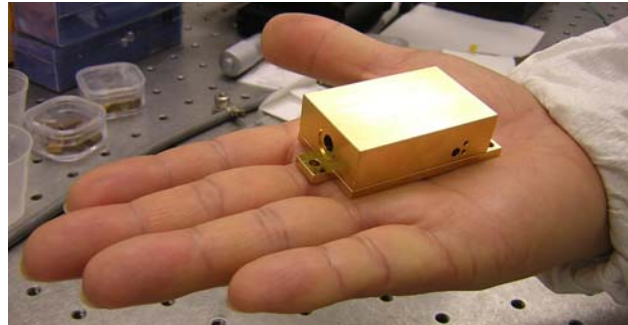
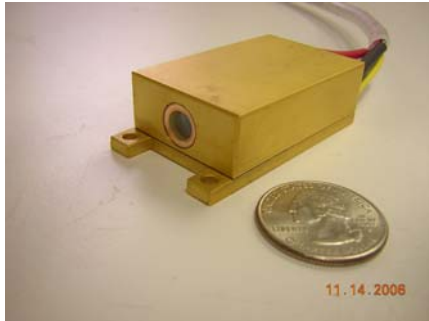




MK-81

1 Hz, 3mj

Diode Pumped Eye-Safe Microlaser



High Efficiency Side Pumped (HESP) Laser

Laser Wavelength	1534 nm
Pump Voltage & Amps	4V, 100A
Output Energy	~ 2 to 3mj
Laser Output Pulswidth	~ 6ns
Raw Beam Diameter	0.8mm
Beam Divergence	~ 4.2mrad
Beam Wander	<0.5mrad
Pulse Rep-rate	1 Hz
Pulse-to-Pulse timing Jitter	< 1us
Laser Head Size	0.65"x 1.2"x 2.19"
Laser Head Weight	~ 135 grams
Conductive Cooling Requirements	~ 1.0 watt*
Operating Temperature Range	-30 to +50 °C
Storage Temperature	-45 to +90 °C
* For Continuous Duty Operation	
Spectral Bandwidth FWHM 4.5nm	10% points 8nm

MK-830-PS Laboratory Diode Driver

Kigre's MK-830-PS laboratory laser diode driver is for use with the MK-830, MK-88, MK-85, MK-82, MK-81 and MK-11 laser heads. The driver features precision pulsed current operation and supports the HESP family eye-safe laser diode requirements. A USB cable and software are provided so that the customer may use their computer as a laser controller. The driver operates over an extremely wide AC input voltage range and includes ultra-high performance hold-up capacitors for stable pulsed current control up to 140 Amps. Soft-start control, active current limiting, transient filtering, and a mechanical shorting relay provide robust protection for the laser diode even when power is removed. HESP laser customers are provided electrical engineering support to facilitate HESP laser integration. This includes access to Kigre's laboratory diode driver schematics, surface mount board vendors, parts list, and power supply design support.

The HESP lasers contain a built-in photodiode that is used to turn off the pump pulse as soon as the laser pulse is emitted. The laser's photodiode signal may also be used as a "To" (time zero) for a range counter or other event timing. The pump pulse-width is typically between 1.5 and 2.5ms depending upon the laser head's temperature and operating conditions. We time out the pulse at a maximum of 3.4ms for safety to prevent the pump diodes from runaway CW operation. Laser pump pulses greater than 3ms are near the point of diminishing returns with regard to laser output energy and system efficiency.

A useful method for monitoring the laser's internal temperature is to look at the pump current pulse width. Specifically, this pulse width should not exceed 3 milliseconds. You'll notice that the pump pulse width will increase as the laser heats up. This is due to the loss of efficiency. Once the pump pulse width gets beyond 3mS, the efficiency of the laser drops dramatically and the pump pulse width will rise quickly - indicating an overheated condition. Please do not operate the laser if the pump current pulse width exceeds 3mS.

We suggest the use of a Tektronix model # A622 probe. The probe should be located between the driver and the laser. You can clip on a section of the red wire anywhere in the laser cable.

Datasheet for current probe:

<http://www2.tek.com/cmswpt/psdetails.lotr?ct=PS&ci=13510&cs=psu&lc=EN>

To purchase the probe:

<http://www.alliedelec.com/search/productdetail.aspx?SKU=7000622>

Pump Pulsewidth: Approximately 1.5mS (photodiode feedback controlled)

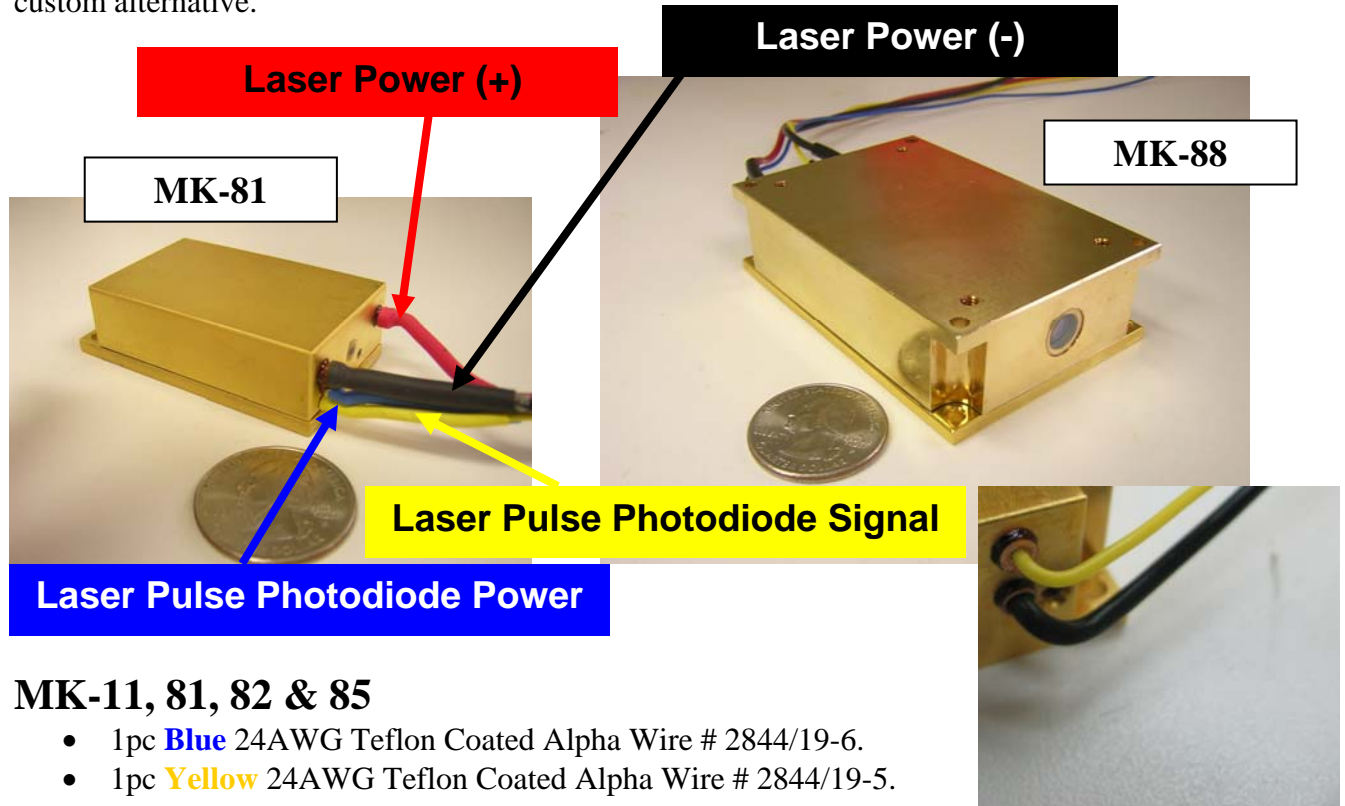
Internal Photodiode: Hamamatsu # G8376-05 (InGaAs, 0.5mm Ø active area)

Link to Photodiode Datasheet:

http://sales.hamamatsu.com/assets/pdf/parts_G/g8376_series_kird1051e05.pdf

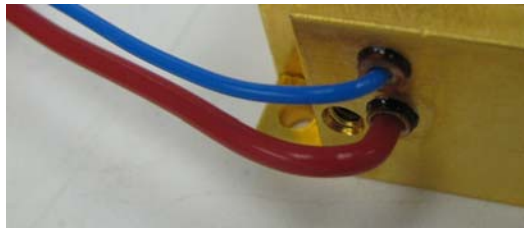
HESP Laser Flying Lead Electrical Interface

Kigre has developed a highly flexible flying lead electronics interface using Teflon coated wire and a unique high strength strain relief support through the enclosure bulkhead. The standard configuration for Kigre's HESP laser products is rear exit flying leads. Side exit flying leads are a custom alternative.



MK-11, 81, 82 & 85

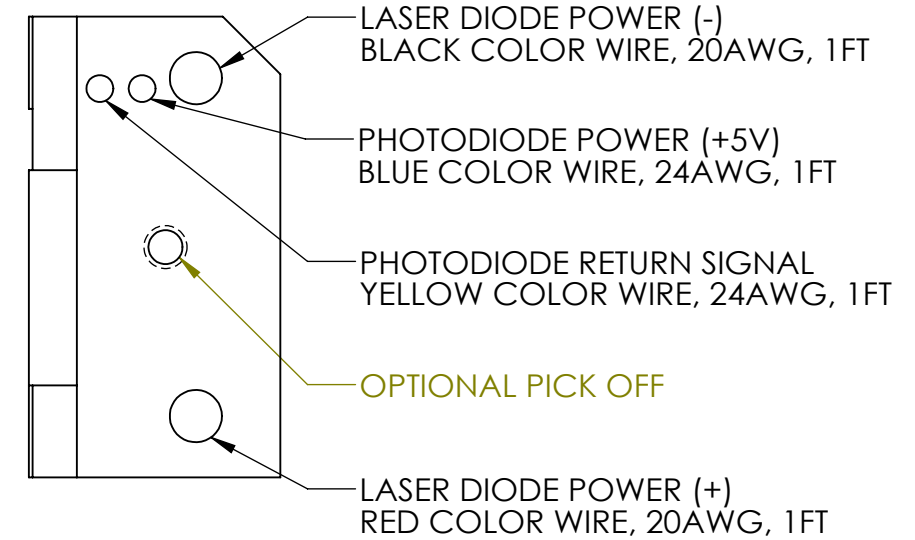
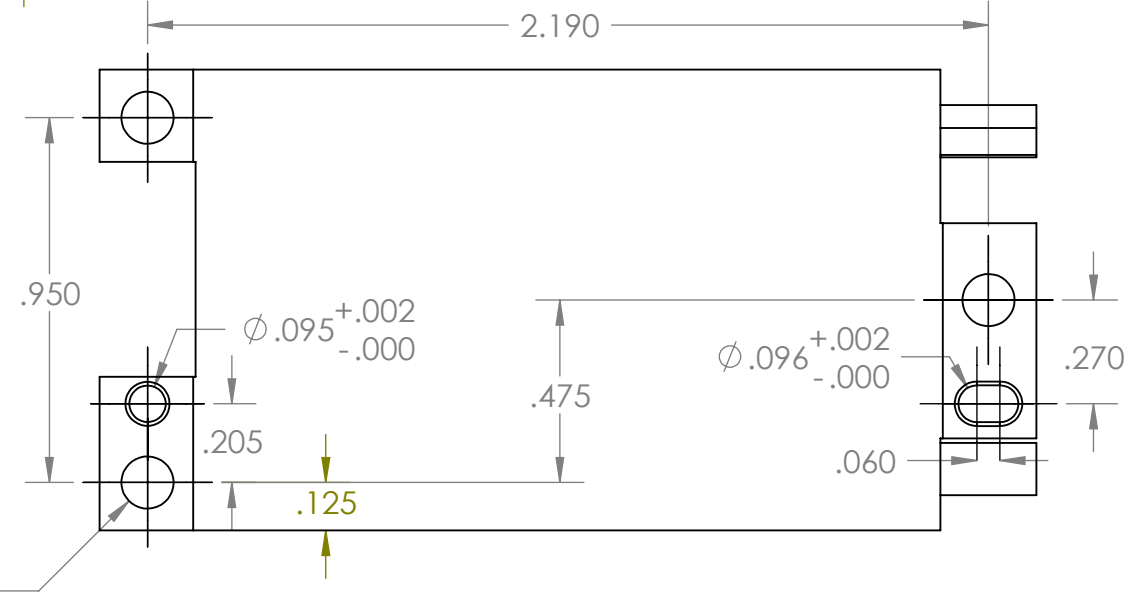
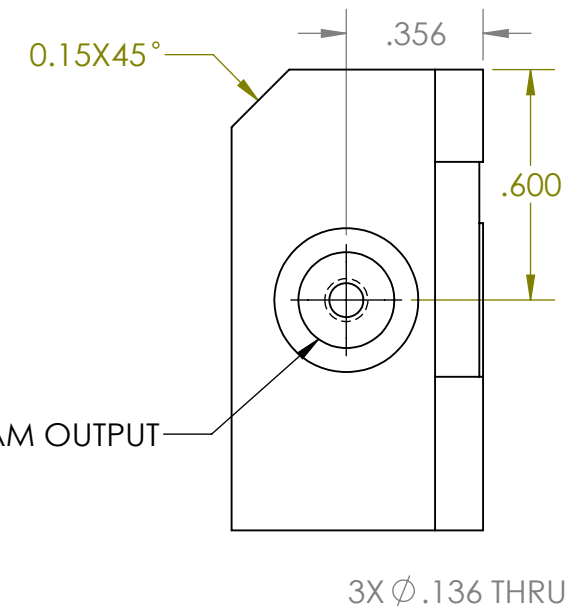
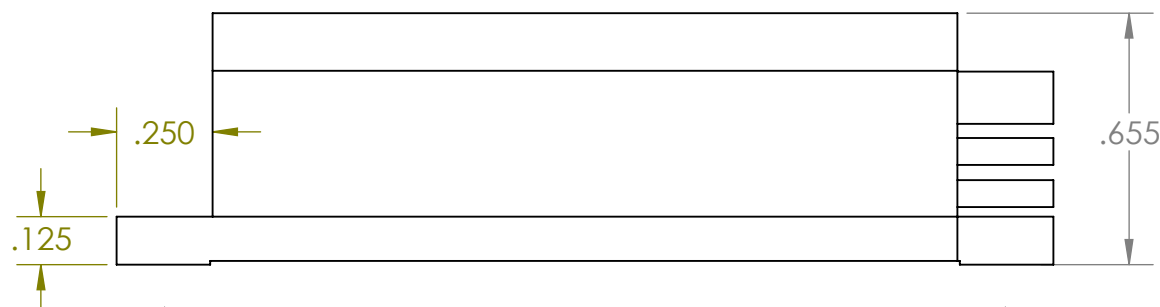
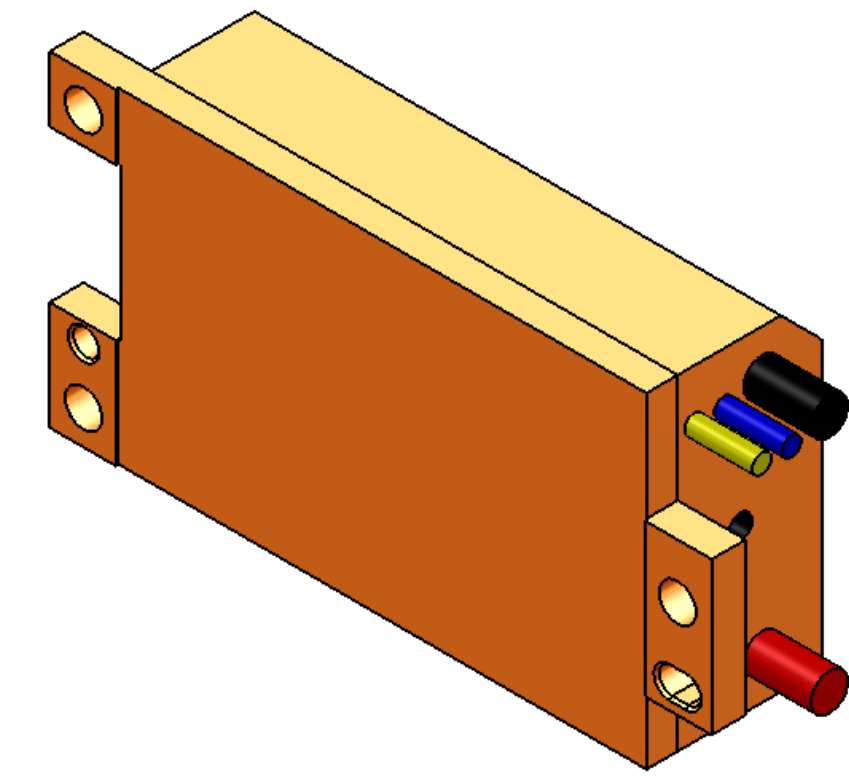
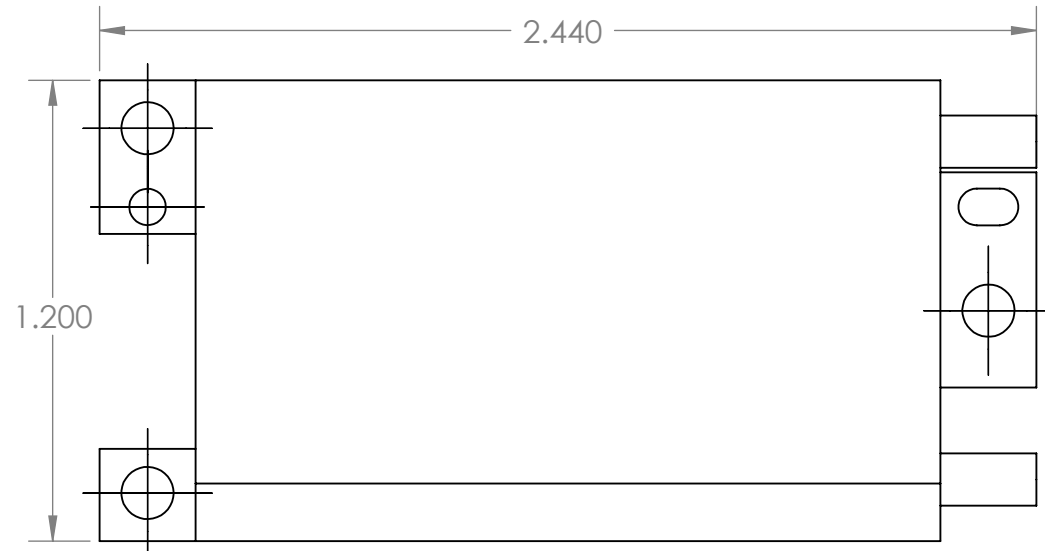
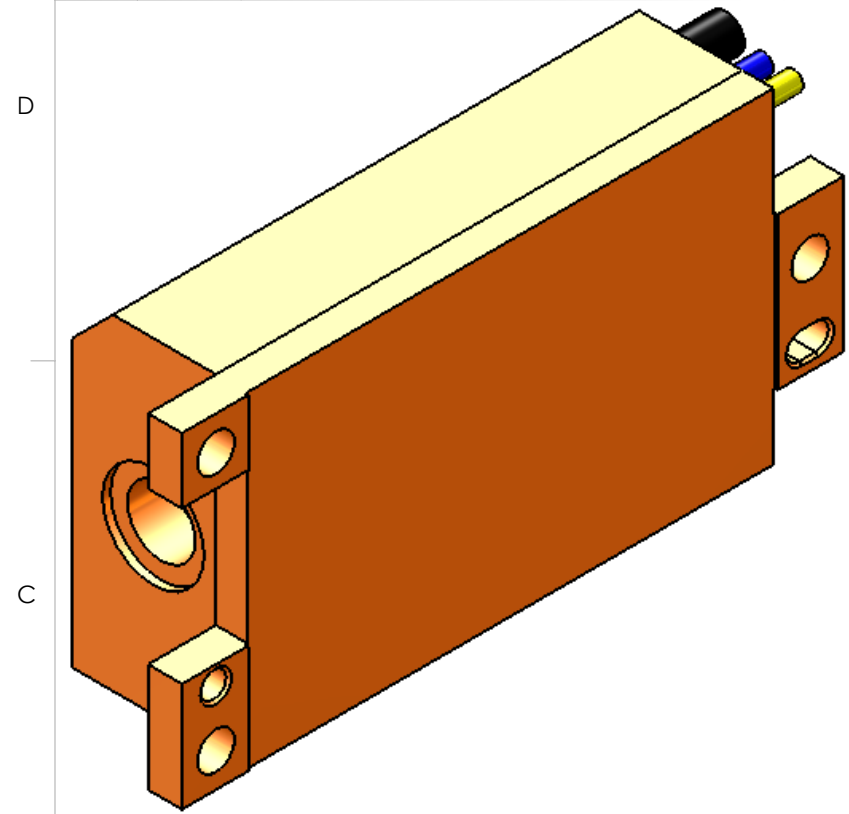
- 1pc **Blue** 24AWG Teflon Coated Alpha Wire # 2844/19-6.
- 1pc **Yellow** 24AWG Teflon Coated Alpha Wire # 2844/19-5.
- 1pc **Red** 20AWG Teflon Coated Alpha Wire #5856-3.
- 1pc **Black** 20AWG Teflon Coated Alpha wire #5856-2.



MK-84, 88 & 830

- 1pc **Blue** 24AWG Teflon Coated Alpha Wire # 2844/19-6.
- 1pc **Yellow** 24AWG Teflon Coated Alpha Wire # 2844/19-5.
- 1pc **Red** 16AWG Teflon Coated Alpha Wire #5858-3.
- 1pc **Black** 16AWG Teflon Coated Alpha wire #5858-2.

REV	DATE	DESCRIPTION	APPR
1	12DEC11	ECR-B1611-1, UPDATED WIRE SIZES	CRH



D
C
B
A

D
C
B
A

NOTE	DATE	DESCRIPTION	APPR

PROPRIETARY AND CONFIDENTIAL
THE INFORMATION CONTAINED IN THIS
DRAWING IS THE SOLE PROPERTY OF
<INSERT COMPANY NAME HERE>. ANY
REPRODUCTION IN PART OR AS A WHOLE
WITHOUT THE WRITTEN PERMISSION OF
<INSERT COMPANY NAME HERE> IS
PROHIBITED.

UNLESS OTHERWISE SPECIFIED:
DIMENSIONS ARE IN INCHES
TOLERANCES:
ONE PLACE DECIMAL ± 0.020
TWO PLACE DECIMAL ± 0.010
THREE PLACE DECIMAL ± 0.005
INTERPRET GEOMETRIC
TOLERANCING PER:
MATERIAL KOVAR
FINISH 32
DO NOT SCALE DRAWING

NAME	DATE
DRAWN CXY	09SEP09
CHECKED CRH	09SEP09
ENG APPR.	
MFG APPR.	
Q.A.	
COMMENTS:	

KIGRE, INC.

TITLE:
MK81 LASER OUTLINE

SIZE B	DWG. NO. B1611	REV 1
SCALE: 2:1	WEIGHT:	SHEET 1 OF 1

8 7 6 5 4 3 2 1

8 7 6 5 4 3 2 1