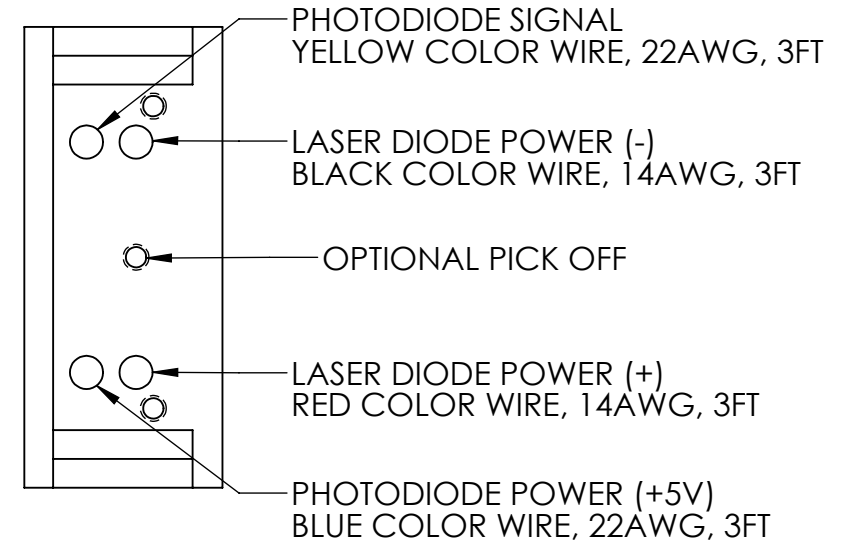
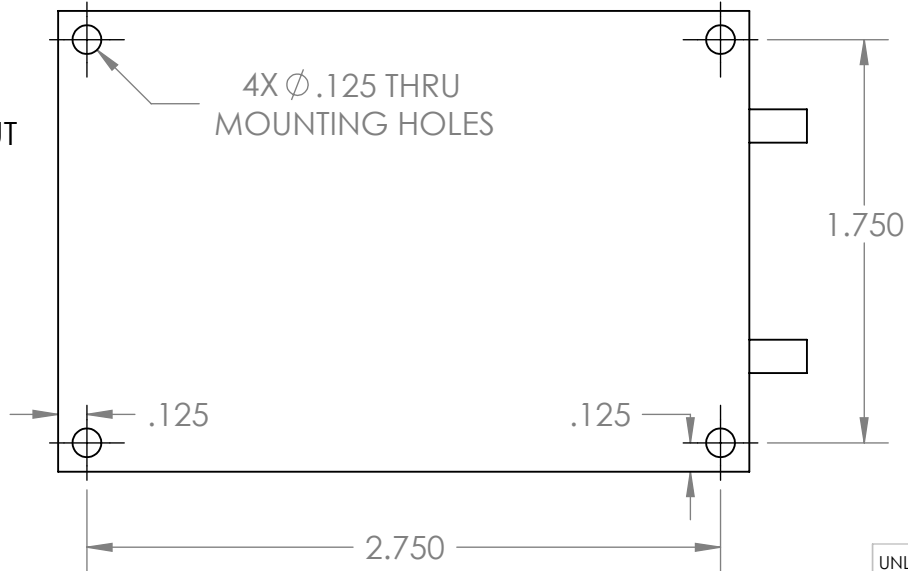
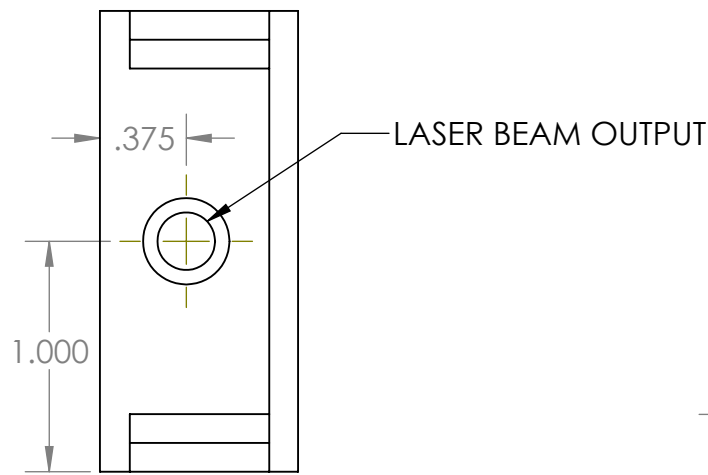
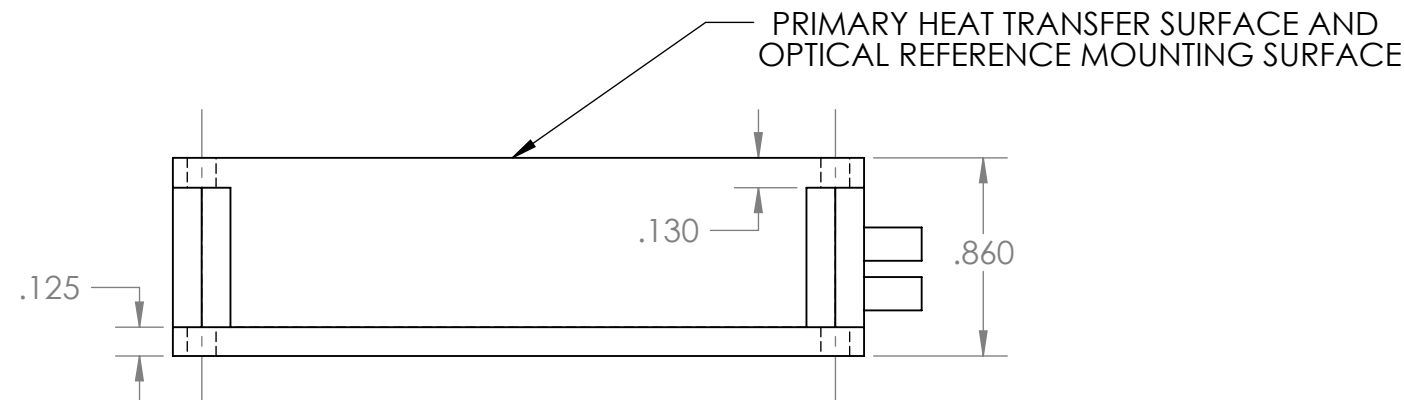
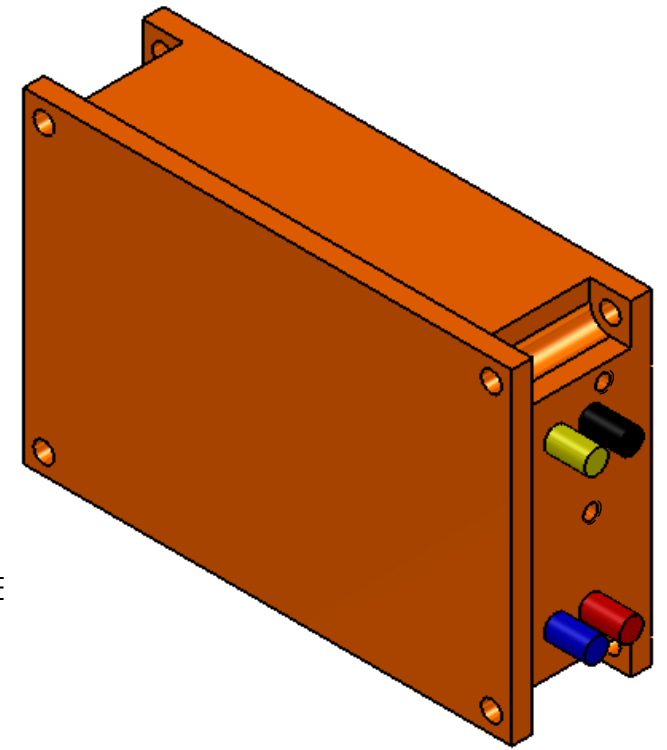
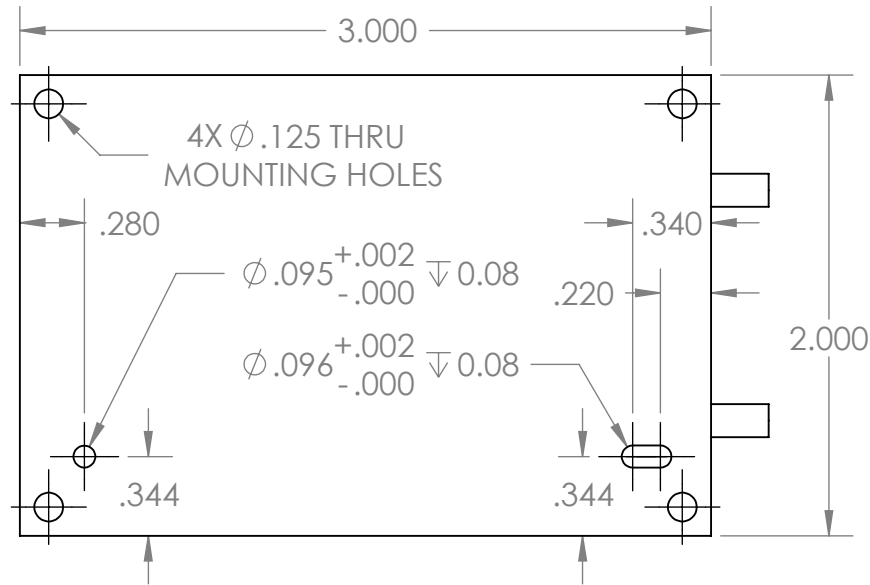
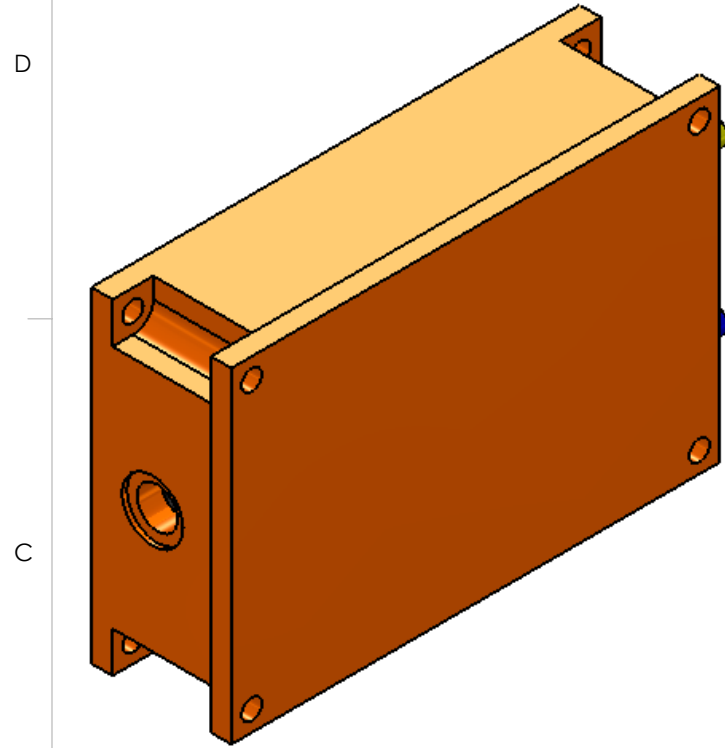


REV	DATE	DESCRIPTION	APPR
1			
2			
3			
4			



A

NOTE	DATE	DESCRIPTION	APPR

PROPRIETARY AND CONFIDENTIAL
 THE INFORMATION CONTAINED IN THIS
 DRAWING IS THE SOLE PROPERTY OF
 <INSERT COMPANY NAME HERE>. ANY
 REPRODUCTION IN PART OR AS A WHOLE
 WITHOUT THE WRITTEN PERMISSION OF
 <INSERT COMPANY NAME HERE> IS
 PROHIBITED.

UNLESS OTHERWISE SPECIFIED:
 DIMENSIONS ARE IN INCHES
 TOLERANCES:
 ONE PLACE DECIMAL ± 0.020
 TWO PLACE DECIMAL ± 0.010
 THREE PLACE DECIMAL ± 0.005
 INTERPRET GEOMETRIC
 TOLERANCING PER:
 MATERIAL
 COPPER ALLOY #110
 FINISH
 32
 DO NOT SCALE DRAWING

	NAME	DATE
DRAWN	CXY	16SEP09
CHECKED	CRH	16SEP09
ENG APPR.		
MFG APPR.		
Q.A.		
COMMENTS:		

TITLE:		
MK830 LASER OUTLINE		
SIZE	DWG. NO.	REV
B	B1616	0
SCALE: 1:1	WEIGHT:	SHEET 1 OF 1