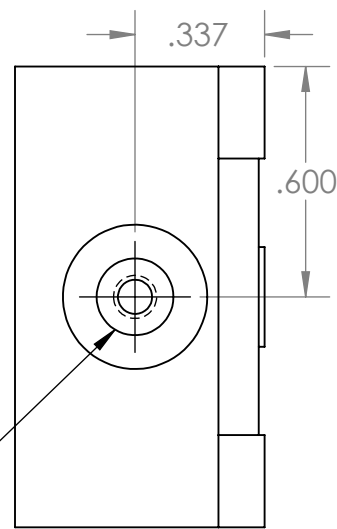
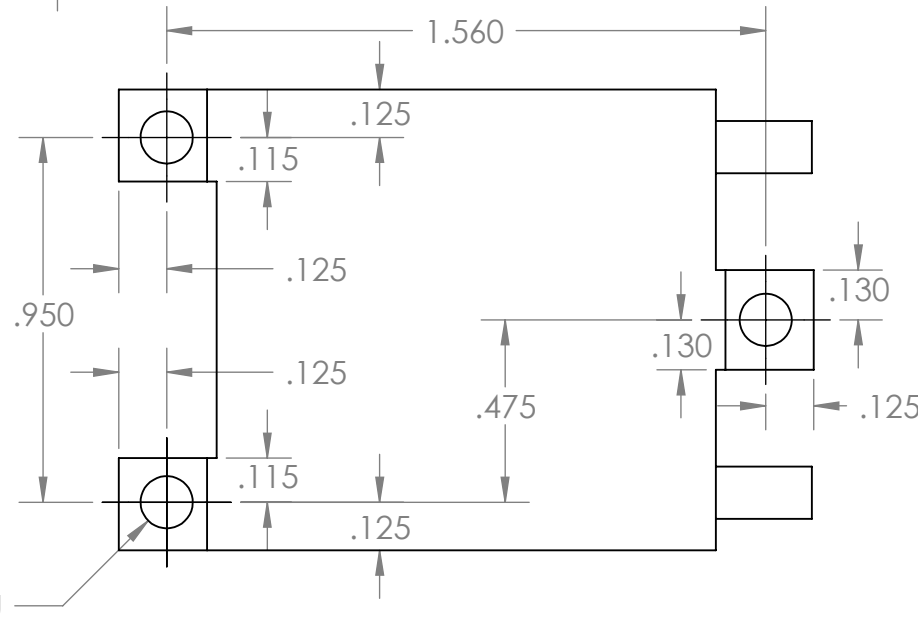
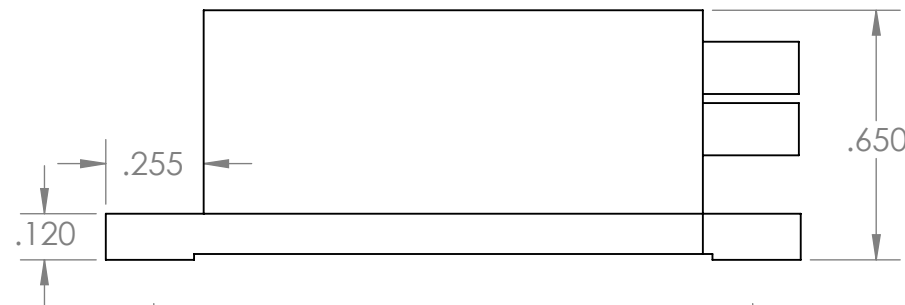
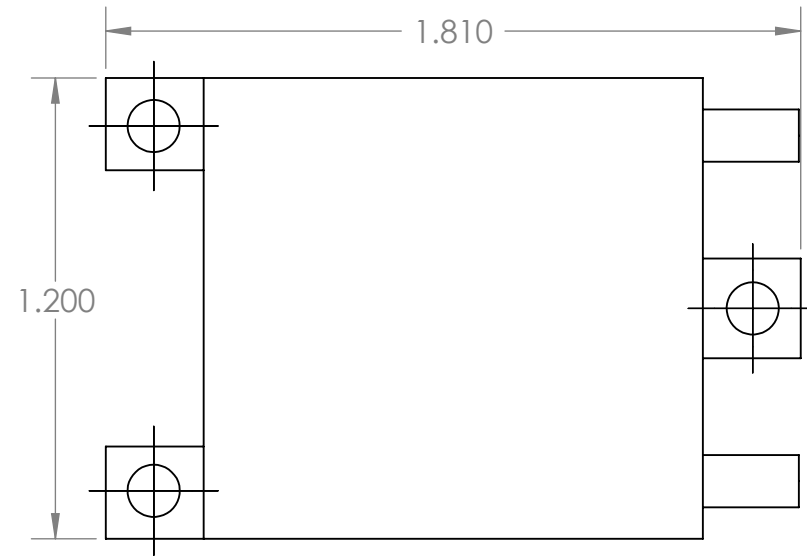
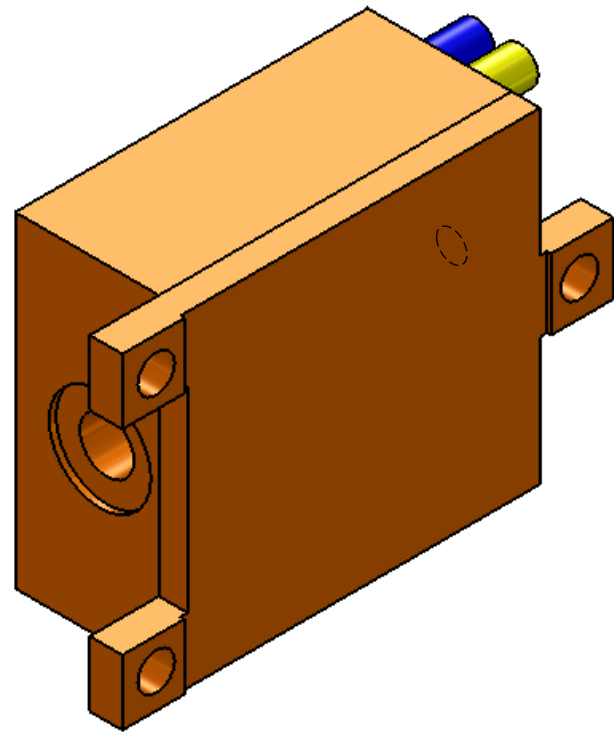
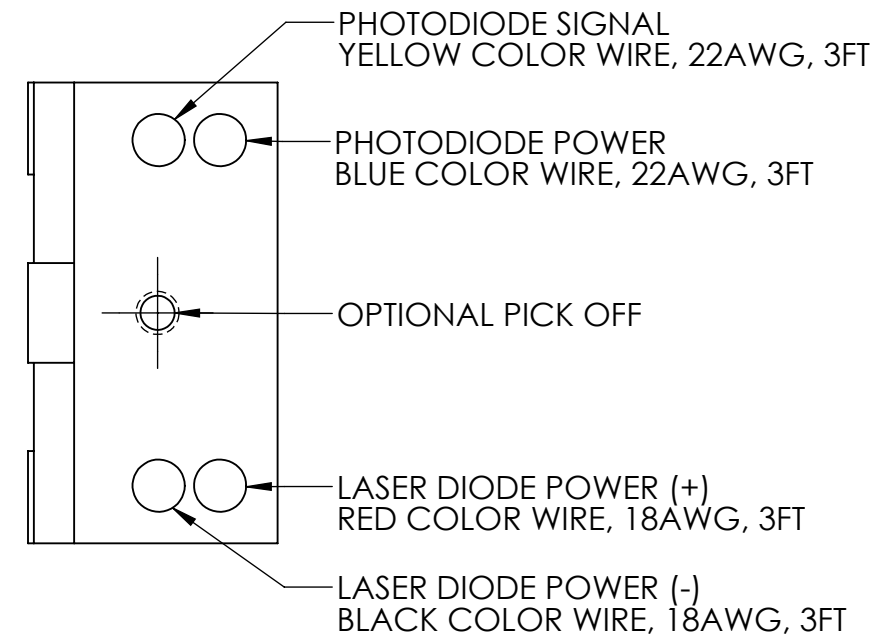
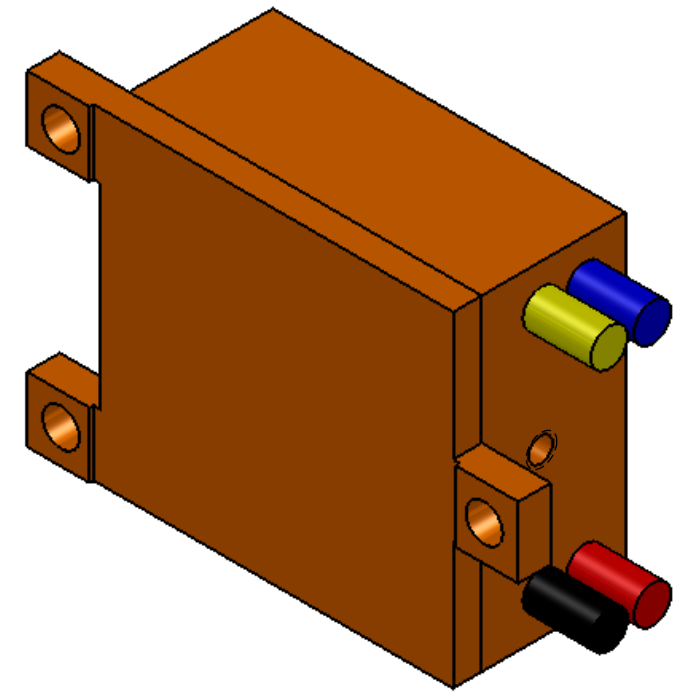


REV	DATE	DESCRIPTION	APPR
1			
2			
3			
4			



LASER BEAM OUPUT

3X Ø.136 THRU



NOTE	DATE	DESCRIPTION	APPR

PROPRIETARY AND CONFIDENTIAL  
 THE INFORMATION CONTAINED IN THIS  
 DRAWING IS THE SOLE PROPERTY OF  
 <INSERT COMPANY NAME HERE>. ANY  
 REPRODUCTION IN PART OR AS A WHOLE  
 WITHOUT THE WRITTEN PERMISSION OF  
 <INSERT COMPANY NAME HERE> IS  
 PROHIBITED.

UNLESS OTHERWISE SPECIFIED:		NAME	DATE
DIMENSIONS ARE IN INCHES		DRAWN	CXY 15SEP09
TOLERANCES:		CHECKED	CRH 15SEP09
ONE PLACE DECIMAL ± 0.020		ENG APPR.	
TWO PLACE DECIMAL ± 0.010		MFG APPR.	
THREE PLACE DECIMAL ± 0.005		Q.A.	
INTERPRET GEOMETRIC TOLERANCING PER:		COMMENTS:	
MATERIAL	KOVAR		
FINISH	32		
DO NOT SCALE DRAWING			

NAME	DATE
DRAWN	CXY 15SEP09
CHECKED	CRH 15SEP09
ENG APPR.	
MFG APPR.	
Q.A.	
COMMENTS:	

TITLE:		
MK11 LASER OUTLINE		
SIZE	DWG. NO.	REV
B	B1613	0
SCALE: 2:1	WEIGHT:	SHEET 1 OF 1