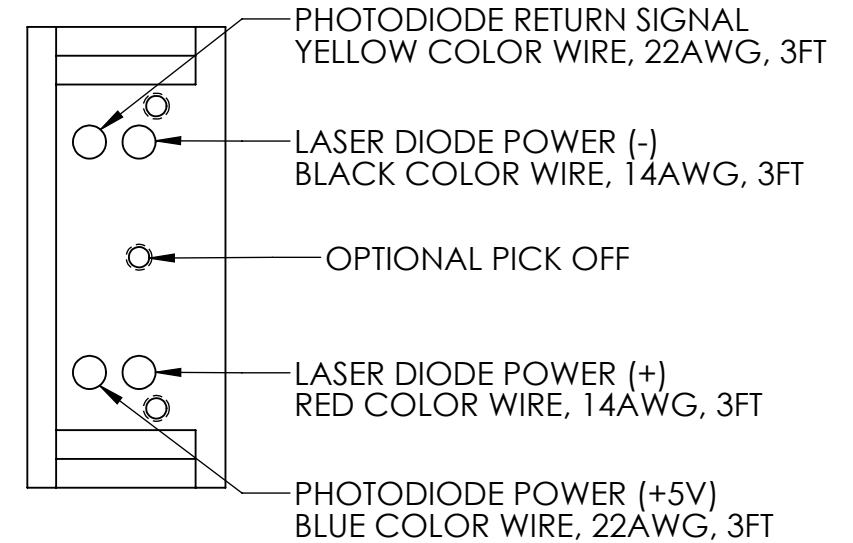
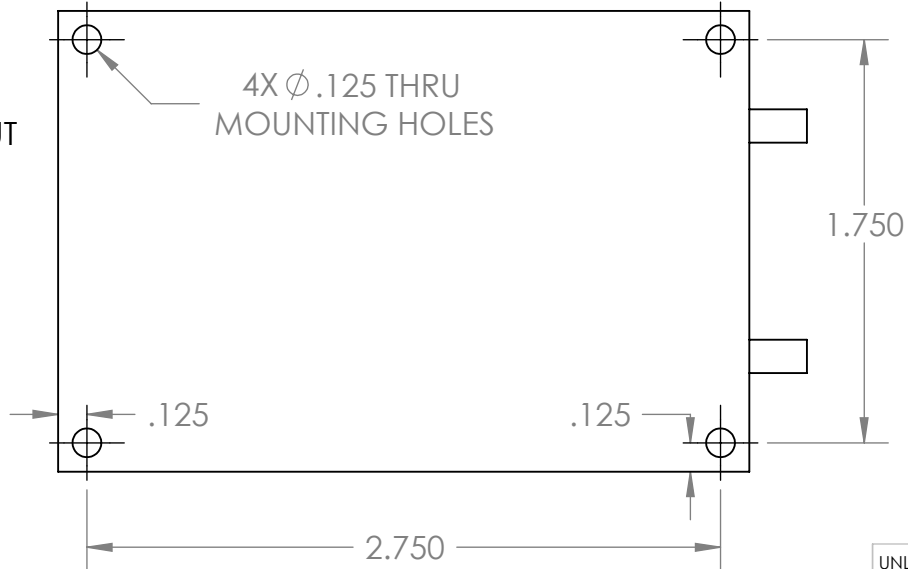
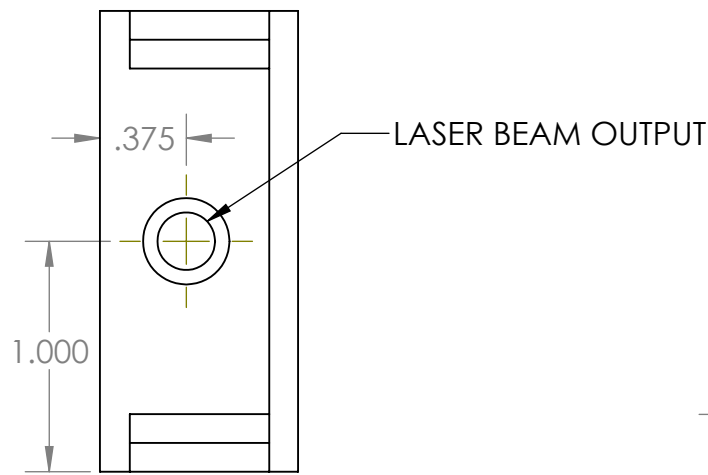
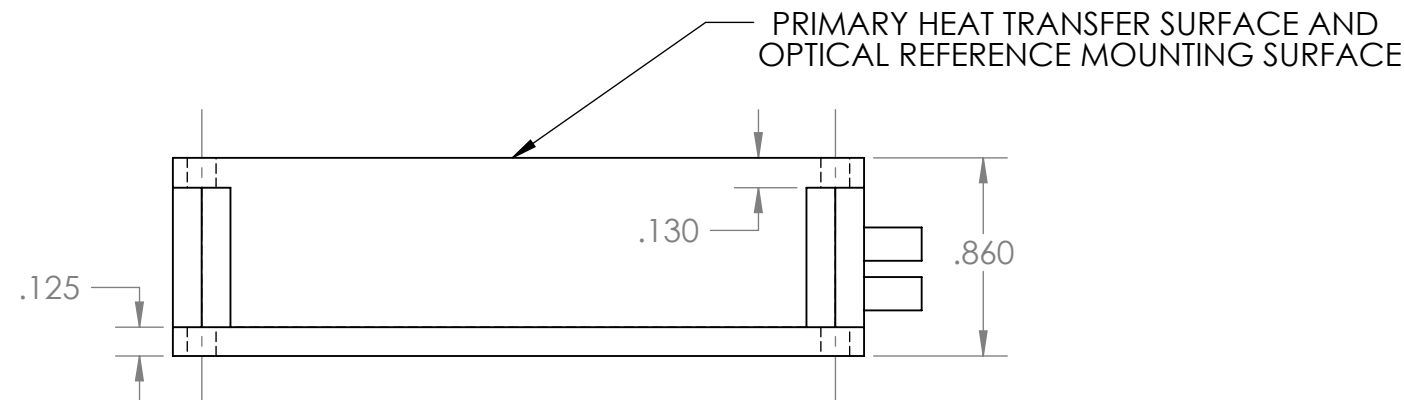
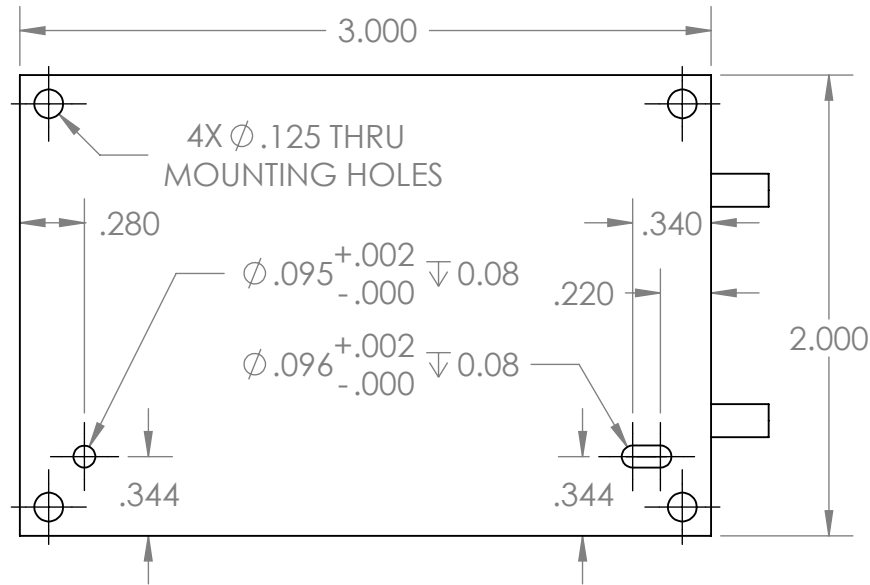
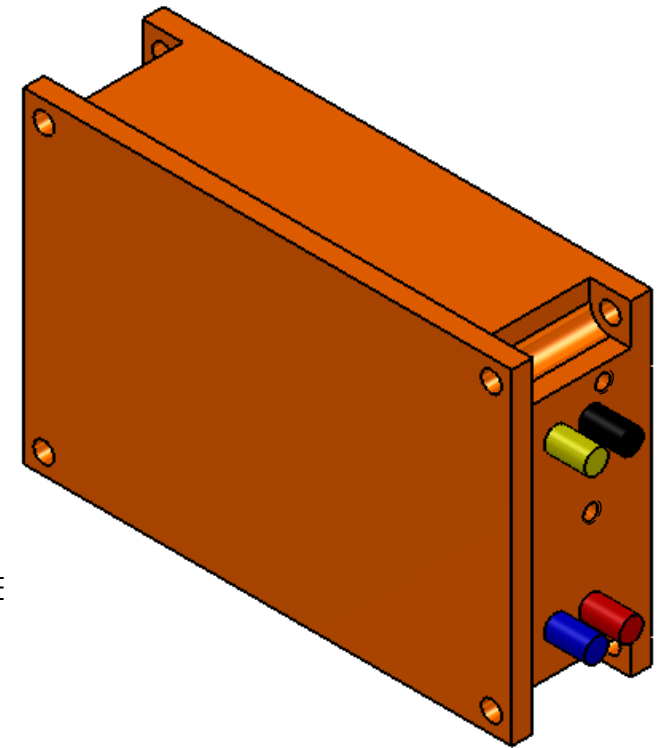
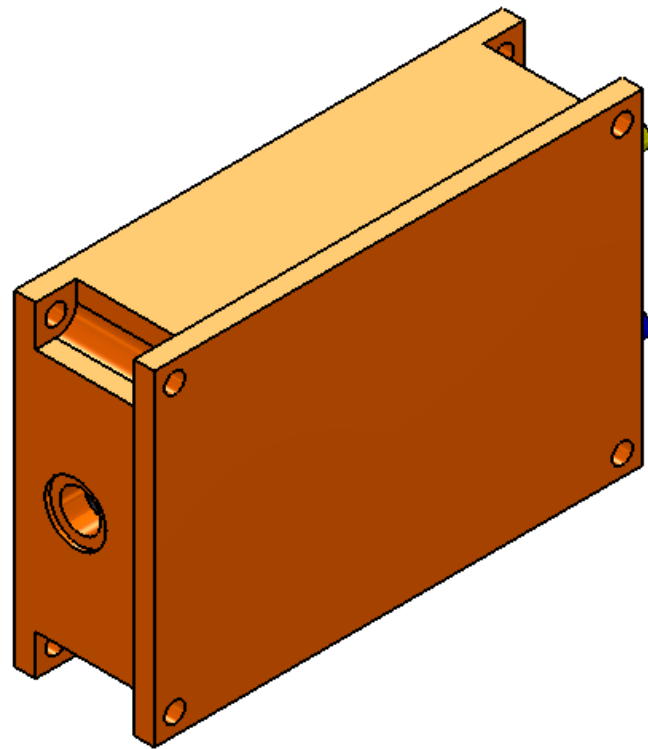


REV	DATE	DESCRIPTION	APPR
1	16APR09	ECR-B1584-1	CRH
2	22APR09	ECR-B1584-2	CRH
3	15MAY09	ECR-B1584-3	CRH
4	17JUL09	ECR-B1584-4	CRH



UNLESS OTHERWISE SPECIFIED: DIMENSIONS ARE IN INCHES TOLERANCES: ONE PLACE DECIMAL ± 0.020 TWO PLACE DECIMAL ± 0.010 THREE PLACE DECIMAL ± 0.005 INTERPRET GEOMETRIC TOLERANCING PER: MATERIAL COPPER ALLOY #110 FINISH 32 DO NOT SCALE DRAWING	NAME	DATE	 TITLE: MK88 LASER OUTLINE SIZE B DWG. NO. B1612 REV 0 SCALE: 1:1 WEIGHT: SHEET 1 OF 1
	DRAWN	CXY 09SEP09	
	CHECKED	CRH 09SEP09	
	ENG APPR.		
	MFG APPR.		
	Q.A.		
	COMMENTS:		

PROPRIETARY AND CONFIDENTIAL
 THE INFORMATION CONTAINED IN THIS
 DRAWING IS THE SOLE PROPERTY OF
 <INSERT COMPANY NAME HERE>. ANY
 REPRODUCTION IN PART OR AS A WHOLE
 WITHOUT THE WRITTEN PERMISSION OF
 <INSERT COMPANY NAME HERE> IS
 PROHIBITED.

NOTE	DATE	DESCRIPTION	APPR