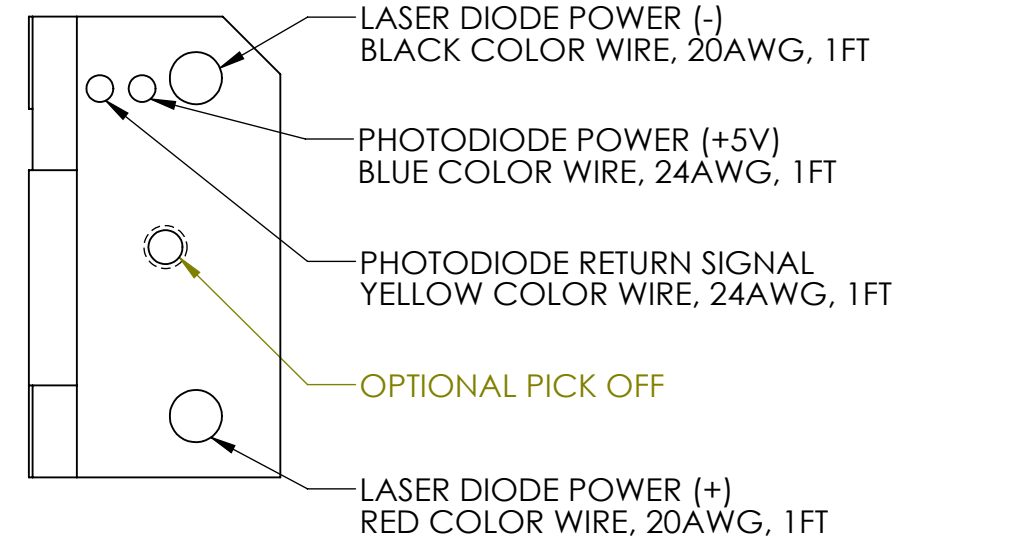
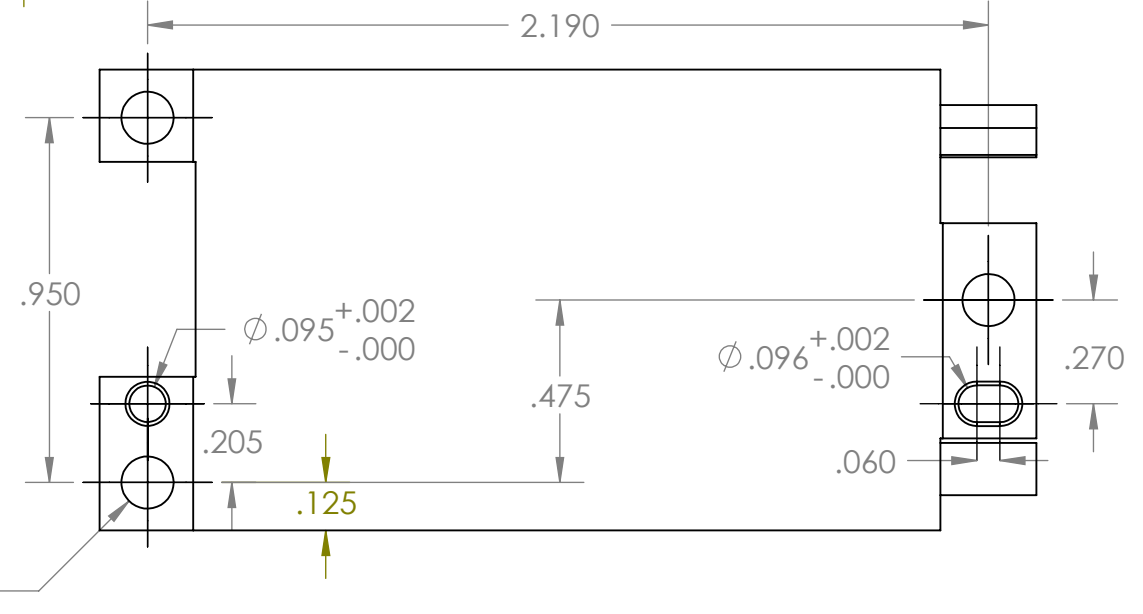
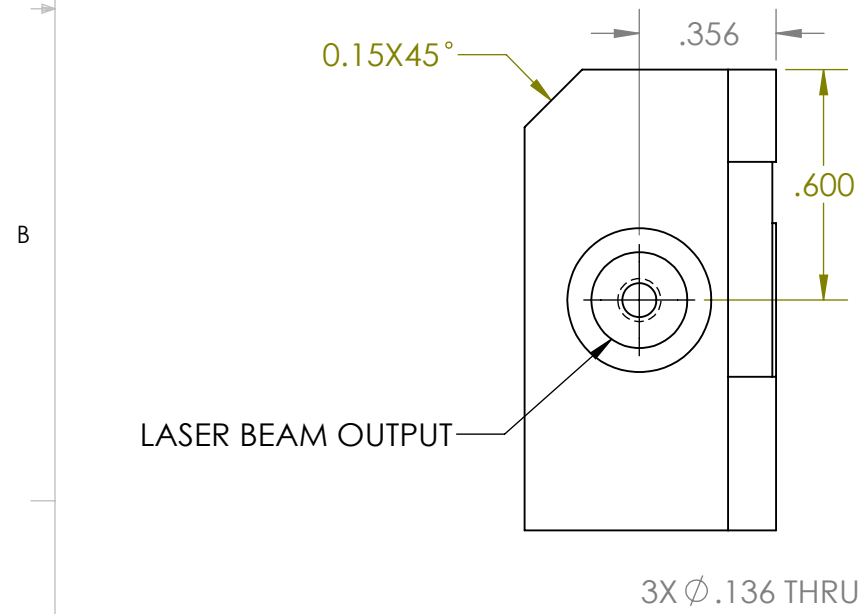
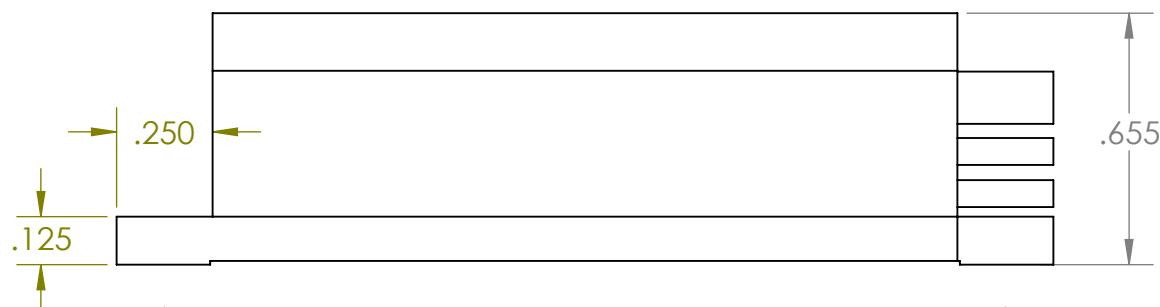
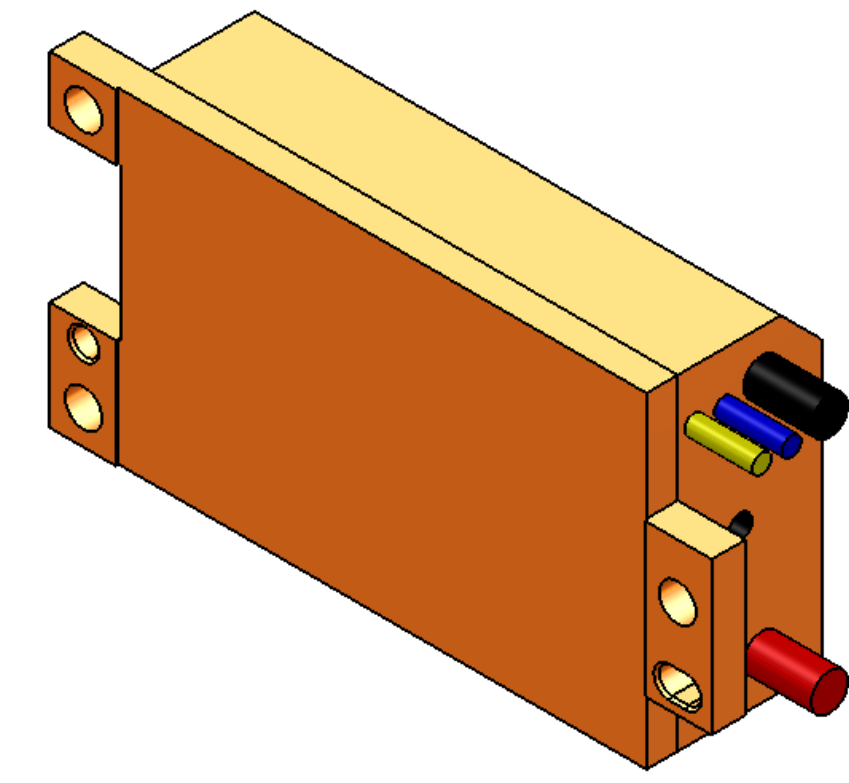
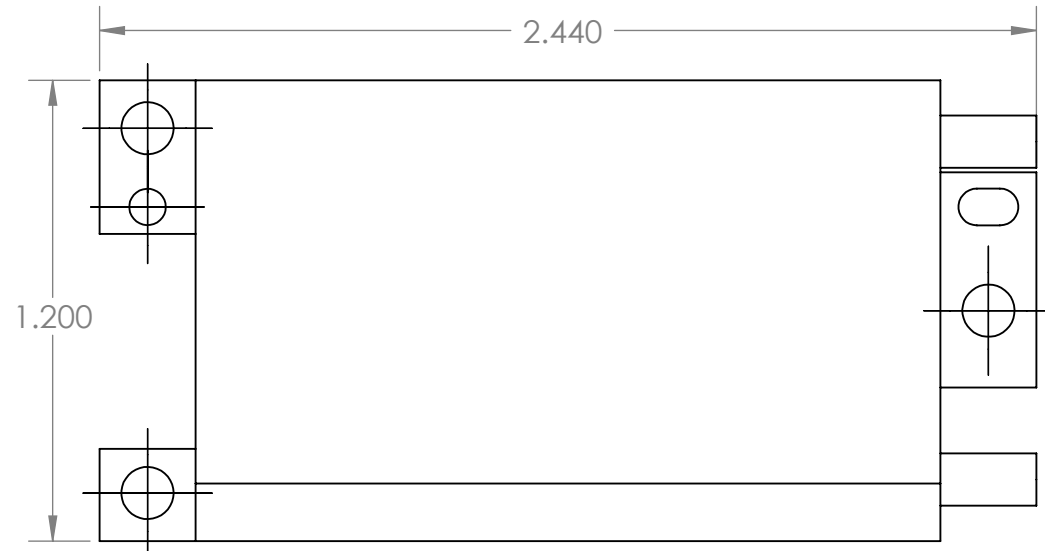
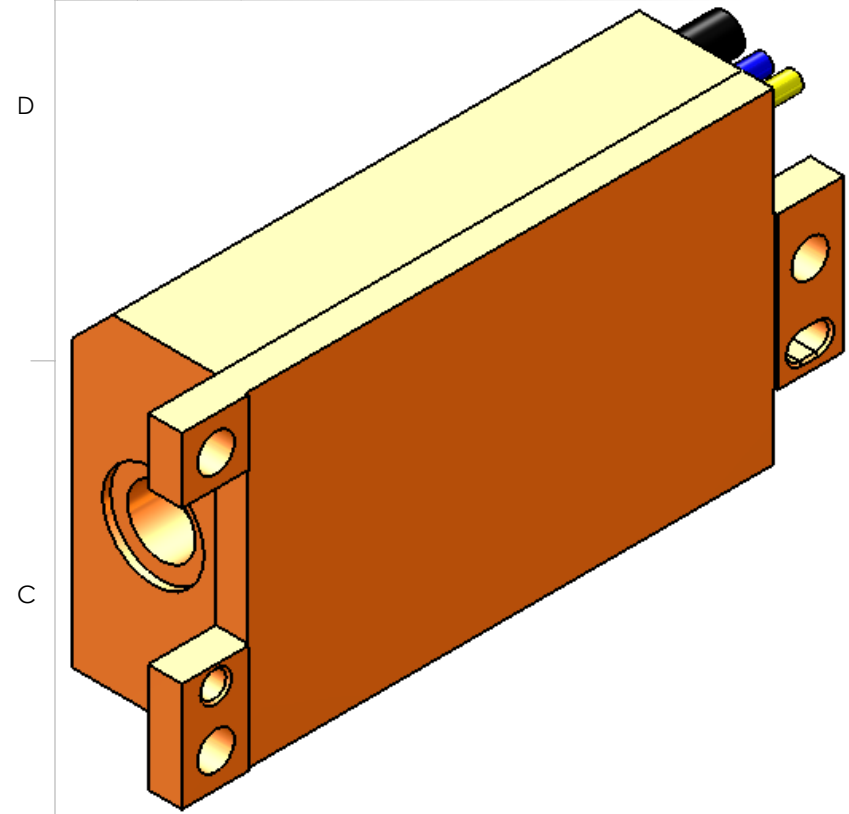


REV	DATE	DESCRIPTION	APPR
1	12DEC11	ECR-B1611-1, UPDATED WIRE SIZES	CRH



NOTE	DATE	DESCRIPTION	APPR

PROPRIETARY AND CONFIDENTIAL
 THE INFORMATION CONTAINED IN THIS
 DRAWING IS THE SOLE PROPERTY OF
 <INSERT COMPANY NAME HERE>. ANY
 REPRODUCTION IN PART OR AS A WHOLE
 WITHOUT THE WRITTEN PERMISSION OF
 <INSERT COMPANY NAME HERE> IS
 PROHIBITED.

UNLESS OTHERWISE SPECIFIED:
 DIMENSIONS ARE IN INCHES
 TOLERANCES:
 ONE PLACE DECIMAL ± 0.020
 TWO PLACE DECIMAL ± 0.010
 THREE PLACE DECIMAL ± 0.005
 INTERPRET GEOMETRIC
 TOLERANCING PER:
 MATERIAL KOVAR
 FINISH 32
 DO NOT SCALE DRAWING

NAME	DATE
DRAWN CXY	09SEP09
CHECKED CRH	09SEP09
ENG APPR.	
MFG APPR.	
Q.A.	
COMMENTS:	

KIGRE, INC.

TITLE:
MK81 LASER OUTLINE

SIZE B	DWG. NO. B1611	REV 1
SCALE: 2:1	WEIGHT:	SHEET 1 OF 1

8 7 6 5 4 3 2 1

D
C
B
A

D
C
B
A

8 7 6 5 4 3 2 1